



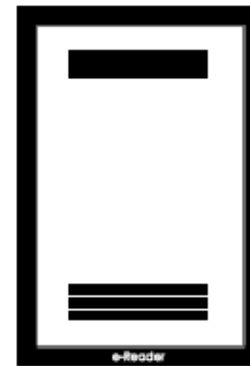
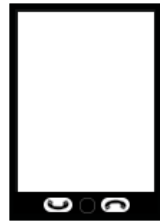
# **ST1 Series**

## **Hinge Type Micro SD™ Card Connector**

Connector Training Module

## Application Examples

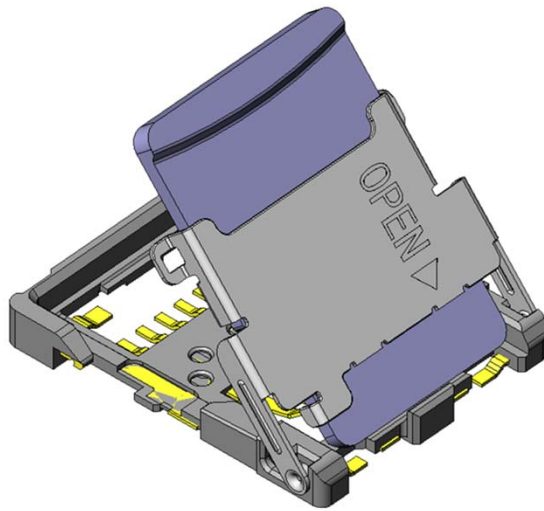
- Mobile/ Smartphone
- Digital Cameras
- E-Readers
- Various devices that use Micro SD™



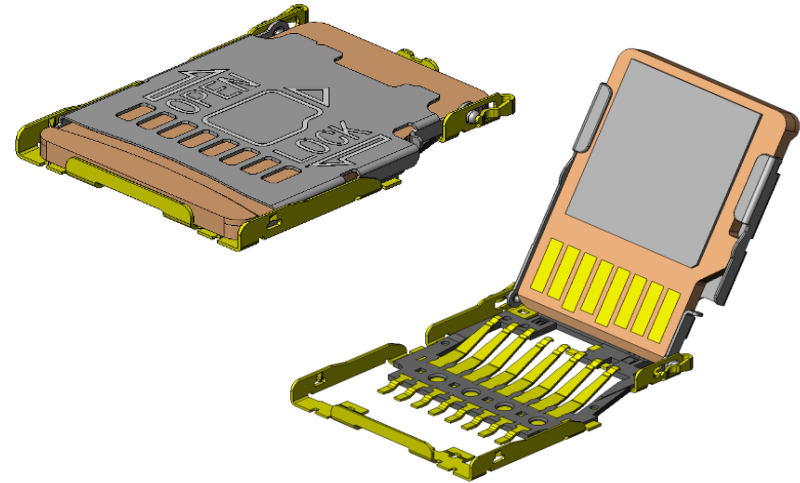
\*microSD™ is a trademark of SD Card Association

# ST1 Series Overview

The ST1 series connectors are one-piece type internal connectors for the microSD™ card. They are high-density, SMT, hinge style, low-profile connectors compatible with the microSD™ card, which is standardized by SDA™ as a compact memory card for various portable devices.



**ST1-D**



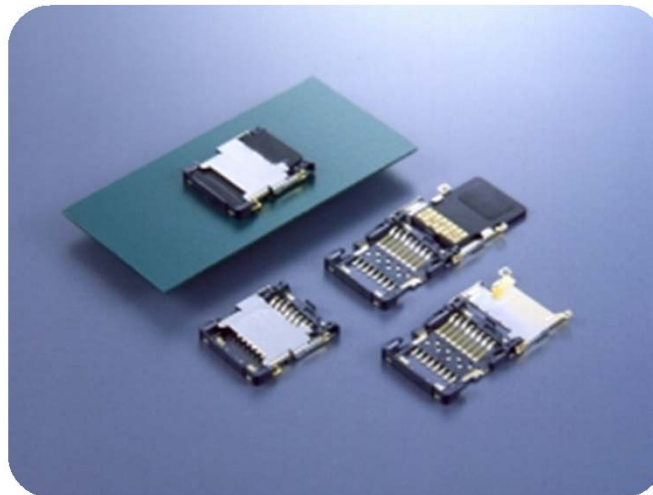
**ST1-T**

\*microSD™ is a trademark of SD Card Association

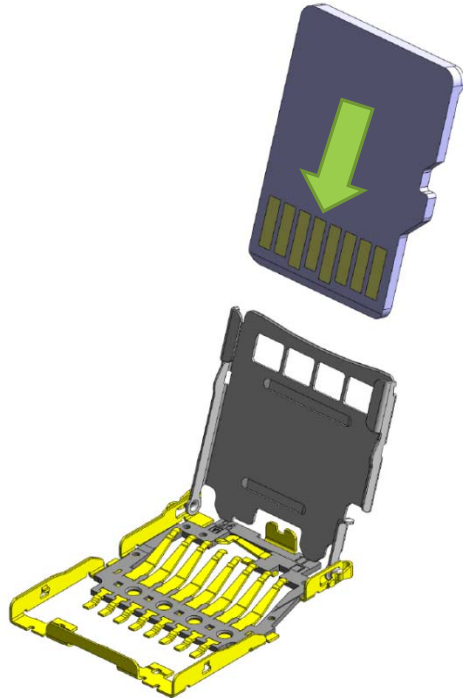
# ST1 Series Features

## Space-Saving, Low-Profile

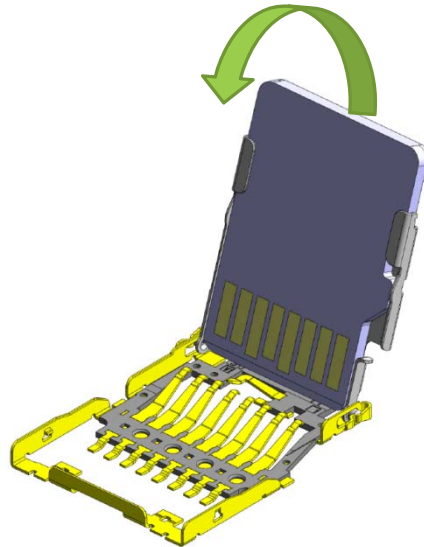
- Push-slide, hinge type connector for microSD™ memory cards
- Card detection switch option available
- Shield is secured by 4 ground connection points on the hinge cover
- Slim design to occupy minimal space
- Lock structure to enhance reliability
- Pb-free product (RoHS compliant)



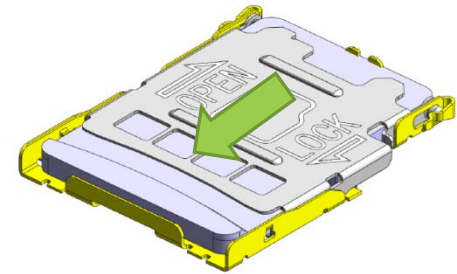
# ST1 Series Features



Step 1:  
Slide the card into the cover using the guide rails.



Step 2:  
Rotate the hinged cover down to the closed position.



Step 3:  
Slide the cover in the direction indicated on the cover to lock it in place.

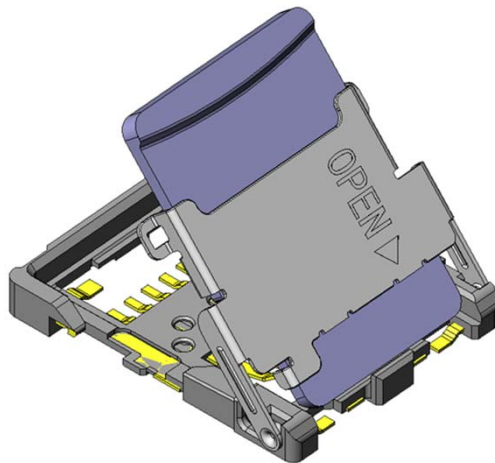
# General Specifications

<b>No. of Positions</b>	8 + 1 (detect switch)
<b>Dimensions (mm)*1</b>	1.9H x 14.15W x 16.3D (D type) 1.4H x 11.9W x 15.5D (T type)
<b>Contact resistance</b>	100m $\Omega$ max.
<b>Insulation Resistance</b>	1,000m $\Omega$ max.
<b>Dielectric Withstanding Voltage</b>	AC500 Vr.m.s. per minute
<b>Operating Temperature Range</b>	-25 to + 85°C
<b>Storage Temperature</b>	-10 to + 60°C
<b>Rated Current</b>	0.5A /per pin
<b>Rated Voltage</b>	10V/per pin
<b>Mating Durability</b>	10,000 times

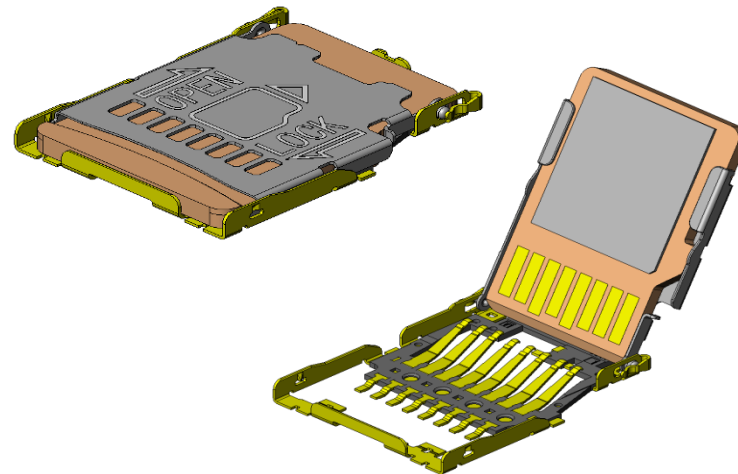
\*1: Height indicates max value.

# Materials and Finishes

Component	Material and Finish
Contact	Copper Alloy / Contact area: 0.5µm min. Au plating over Ni Terminal area: Au flash plating over Ni
Housing	Synthetic Resin / None
Cover	Stainless Steel / None



**ST1-D**



**ST1-T**

## Summary

- One-piece type internal connectors for the microSD™ card.
- High-density, SMT, hinge style, low-profile connectors
- Card detection switch option available
- Shield is secured by 4 ground connection points on the hinge cover
- Slim design to occupy minimal space
- Lock structure to enhance reliability
- Lead-free product (RoHS compliant)





**Technology to Inspire Innovation**

**JAE**