



FISCHER FREEDOM™ SERIES FISCHER LP360™ CONNECTORS

EASY MATING
FULLY CLEANABLE
LOW PROFILE

4-7 CONTACTS



- No key code, 360° mating freedom
- Blind-mate, non-magnetic quick-release locking
- Fully cleanable, plug and receptacle
- Easy integration, MOLLE compatible
- IP68 sealed to 20m/24h



REIMAGINING CONNECTIVITY
TOGETHER

fischer
CONNECTORS

TECHNICAL DIMENSIONS

BODY STYLES

PLUGS

CABLE MOUNTED



BODY STYLE	FLP01	FLP01
Locking system	Quick-release	Quick-release
Sealing	IP67	IP68
Size	8	14
Contact	4	7
Housing material	Plastic	Metal

PANEL FRONT MOUNTED



BODY STYLE	FLP03	FLP03
Locking system	Quick-release	Quick-release
Sealing	IP68	IP68
Size	08	14
Contact	4	7
Housing material	Metal	Metal

RECEPTACLES

CABLE MOUNTED



BODY STYLE	FLR50	FLR50
Sealing	IP68	IP68
Size	08	14
Contact	4	7
Housing material	Metal	Metal

PANEL REAR MOUNTED

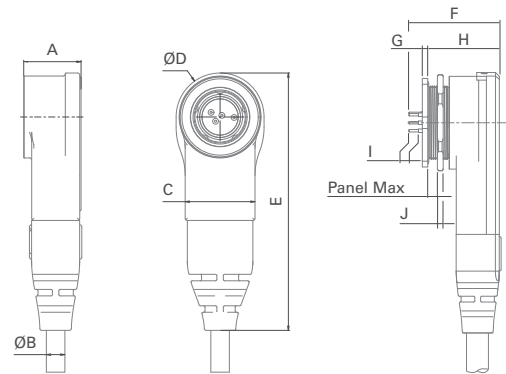


BODY STYLE	FLR01	FLR01
Sealing	IP67/IP68	IP68
Size	08	14
Contact	4	7
Housing material	Plastic/Metal	Metal

PLUG FLP01

SIZE 08 – PLASTIC

SIZE 14 – METAL



Note: Cable & bend relief available in black or tan 499.

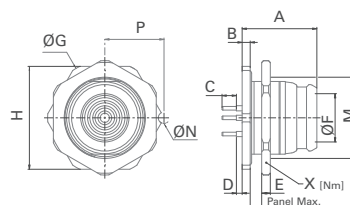
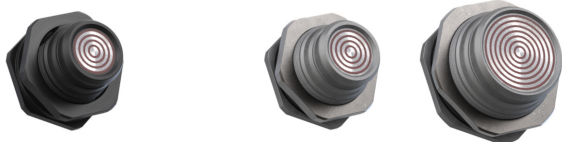
Size	A	ØB	C	ØD	E	Panel Max	F	G	H	I	J	Weight (without cable)
08 Plastic	13.3	4.8	16.2	20.4	59.7	3.0	23.8	2.2	18.9	2.5	2.0	15.8 g
14 Metal	13.0	5.4	15.6	25.4	67.4	3.0	23.4	1.4	18.5	2.5	1.5	44.5 g

Note: Plug only available pre-cabled with a standard cable length (1 m). Contact sales for customized solutions.

RECEPTACLE FLR01

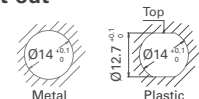
SIZE 08 – PLASTIC

SIZE 08/14 – METAL



Panel cut-out

Size 08



Size 14



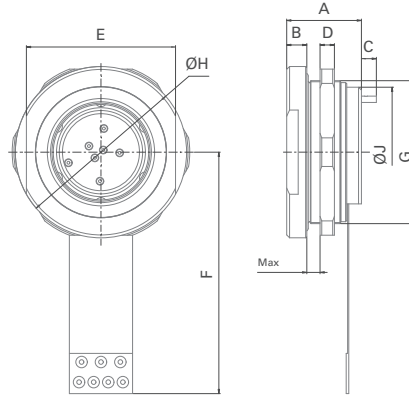
Size	A	B	C	D	Panel Max	E	ØF	ØG	H	M	ØN	P	X	Weight
08 Plastic	13.8	2.2	2.5	0.2	3.0	2.0	8.0	19.9	17.9	M14x0.5	2.0	10.3	1.5-2.0	3.3 g
08 Metal	13.0	1.4	2.5	1.0	3.0	1.5	8.0	19.9	17.9	M14x0.5	2.0	10.3	2.0-4.0	7.5 g
14 Metal	13.0	1.4	2.5	1.0	3.0	1.5	14.0	24.9	22.9	M19x0.5	2.5	12.8	2.0-4.0	15.2 g



PLUG FLP03

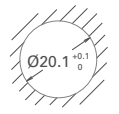
SIZE 08 – METAL

SIZE 14 – METAL



Panel cut-out

Size 08



Size 14

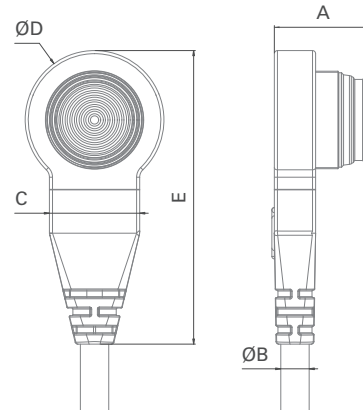


Size	Contacts	A	B	C	D	E	Panel Max	F	G	ØH	ØJ	Weight	Flex Print
08 Metal	4	13.0	3.5	2.7	2.5	21.0	3.7	42.0	M20x0.5	25.0	17.6	20.5 g	Solder / ZIF
14 Metal	7	13.0	3.5	2.7	2.5	26.0	3.7	42.0	M25x0.5	30.0	22.6	32.6 g	Solder / ZIF

RECEPTACLE FLR50

SIZE 08 – METAL

SIZE 14 – METAL

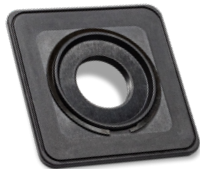


Note: Cable & bend relief available in black or tan 499.

Size	A	ØB Max	C	ØD	E	Weight (without cable)
08 Metal	18.9	4.8	17.5	26.9	56.9	18.0 g
14 Metal	18.9	5.5	17.5	26.9	56.9	25.0 g

Note: Pre-cabled receptacles available in two standard cable lengths (0.5m or 1 m). Contact sales for customized solutions.

QUICK DETACH SYSTEM



Kit includes:



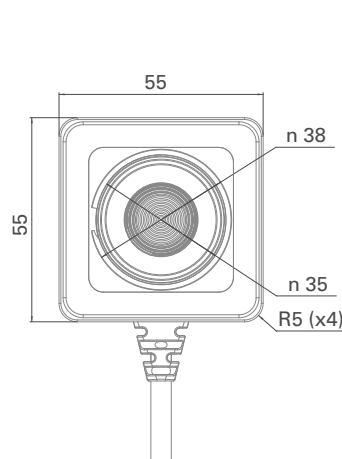
Sewing junction



Adapter size 08 & 14



Retaining ring



Part	Size	Part number	Material
②	08	224464	PPA
	14	224452	
①	08/14	224451	Central area: PPA Soft edge for sewing: TPE
③		310623	Base material: stainless steel Surface finish: black zinc



MATERIAL & SURFACE FINISH

SIZE 08 – PLASTIC



- 1 Bend relief – TPE
- 2 Locking – Stainless Steel
- 3 Housing – PEEK Black
- 4 Tracks – Cu Alloy
- 5 Housing – PEEK Black
- 6 Nut – PEEK Black
- 7 Pins – Brass / Gold Plated

SIZE 14 – METAL



- 1 Bend relief – TPE
- 2 Locking – Stainless Steel
- 3 Housing – Brass Anthracite Nickel
- 4 Tracks – Cu Alloy
- 5 Housing – Stainless Steel
- 6 Nut – Brass Anthracite Nickel
- 7 Pins – Brass / Gold Plated
- 8 Housing – Aluminum Anthracite Nickel

ENVIRONMENTAL, MECHANICAL & ELECTRICAL DATA

	Size 08		Size 14	Standard
	Plastic	Metal	Metal	
Sealing Mated w/ cap Plug w/o cap Receptacle w/o cap	IP67, 0.2m/30min IP67, 0.2m/30min IP67, 0.2m/30min	IP68, 20m/24h IP67, 0.2m/30min IP68, 20m/24h	IP68, 20m/24h IP67, 0.2m/30min IP68, 20m/24h	IEC 60529, MIL-STD-810 Method 512.6
Operating temperature range (connectors only)	-40°C to +85°C	-55°C to +135°C	-55°C to +135°C	MIL-STD-810 Method 501.6 and 502.6
Corrosion resistance mated	Salt mist 1,000h Connectors in mated condition		Salt mist 1,000h ¹⁾ Connectors in mated condition	MIL-STD-810 Method 509.6
Mechanical endurance	5,000 mating cycles/ 2,500 rotations ²⁾	10,000 mating cycles/ 5,000 rotations ²⁾	10,000 mating cycles/ 5,000 rotations ²⁾	IEC 60512-9-1
Random vibration	9.26G rms		9.26G rms	MIL-STD-202 Method 214 Condition I
Unmating force	Typical 24N	Typical 40N	Typical 40N	IEC 60512-13-1
Shock	30G		30 G	MIL-STD-202 Method 213 Condition J
Max. current rating	2x 5A power and 2x 1A signal		3x 5A power and 4x 1A signal	IEC 60512-5-2-5b
Max. wire size	Up to 24AWG		Up to 24AWG	-
Data protocols	USB2.0 and Ethernet		USB2.0 and Ethernet	-

¹⁾ Exception: 48h for FLR50

²⁾ 180° rotation considered per mating within the mating cycle test

ACCESSORIES

- Soft caps
- Straight bend relief



ACTIVE DEVICES



LP360™
USB 2.0 adapter



LP360™
LED



LP360™
Rugged Flash Drive



For more information visit
[fischerconnectors.com/lp360](https://www.fischerconnectors.com/lp360)