



180° Beam LED Beacon / All-Weather Luminaire

BSD-1928-001



For Use in All-Weather Environments – Pathway Lighting for Bridges, Tunnels, Towers

120VAC — Only 19.5 Watts Power Usage

FEATURES

- **Lamp Warranty:** 3 Years
- **Very Low Power Consumption:** Only 19.5 Watts
- **Solid-State:** High-Shock & High-Vibration-Resistant
- **Long Life:** White LEDs Last up to 50,000 Hours (5.7+ Years), Colored LEDs Last up to 100,000 Hours (10+ Years) of Continuous Operation
- **Super Intensity:** 1,350 Footcandles
- **Ambient Operating Temperature Range:** ~-22°F to ~+122°F
- **All-Weather:** Suitable for Wet and Hazardous Locations: Class 1, Div 2

BENEFITS

- **Major Energy Savings:** Low Wattage Draw Puts Less Load on the Electrical System
- **Low Maintenance:** Lowers Costs By Reducing Re-lamp Frequency
- **Eco-Friendly:** No Mercury Content, No Lead
- **No Hazardous Emissions:** No UV or IR Radiation – Does Not Attract Insects
- **Reduces Light Pollution:** No Wasted Light, “Dark Skies Initiative”-Friendly



APPLICATIONS

- Hazard Warning / Emergency Lighting
- Pathway Lighting for Bridges, Towers & Tunnels
- Obstruction / Construction Lighting
- Industrial Beacons
- LED Luminaires



BSD-1928 lamps illuminate San Pedro's Vincent Thomas Bridge, the entrance to Los Angeles Harbor



The Frederick Douglass Memorial Bridge, commonly known as the South Capitol Street Bridge, in Washington, D.C., was overhauled with new lighting using BSD-1928 lamps.

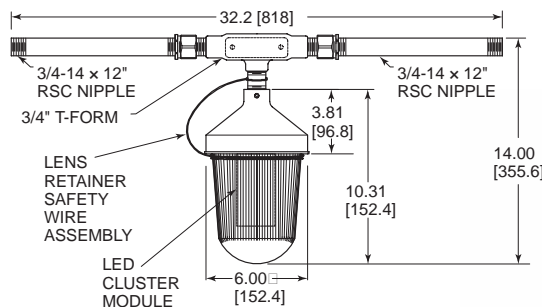
CUSTOM OPTIONS [For qualified applications & large-quantity OEM orders]

- Other Voltages Available
- Other Colors: Red, Yellow, Green, White
- Flashing Light
- With or Without Conduit and T-Form
- Other Beam Angles
- Blinking Light

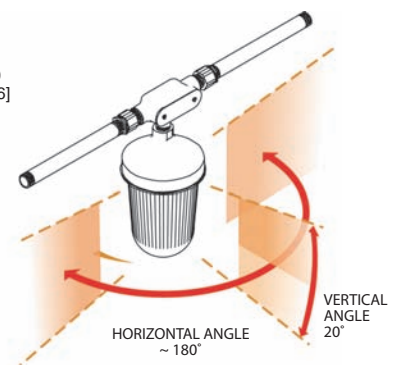
SPECIFICATIONS

SPECIFICATIONS SUBJECT TO CHANGE WITHOUT NOTICE

PART NUMBER	BSD-1928-001
LED Emitted Color	Blue
Peak Wave λp	470nm
Beam Angle	H: ~180°, V: 20°
Input Voltage	120 VAC
Energy Consumption	19.5 W
Total Lumens	263 lm
Maximum Candela	1,350 cd
Ambient Operating Temp Range	~-22°F to ~+122°F ~-30°C to ~+50°C
Weight (w/conduit & LED cluster)	9.25 lbs / 4.20 kg



Dimensions in inches [mm]



LEDTRONICS, INC.®
THE FUTURE OF LIGHT

© 2011 LEDtronics, Inc.



23105 Kashiwa Court, Torrance, CA 90505
 Phone: (800) 579.4875 / (310) 534.1505
 Fax: (310) 534.1424
 E-mail: webmaster@ledtronics.com
 Website: http://www.ledtronics.com

www.LEDtronics.com

LOG 175 / Rev 07-2010

Check LEDTRONICS.COM for latest data. Printed material may be outdated.